



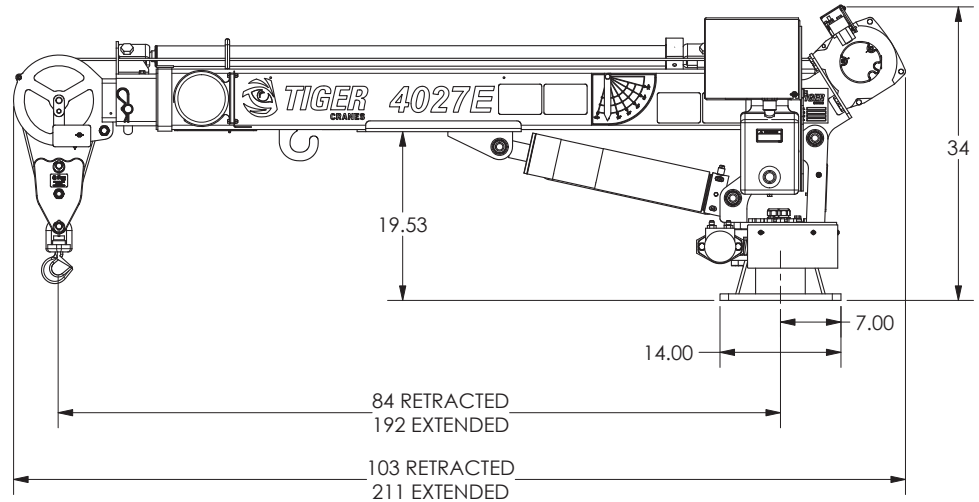
# TIGER CRANES

## Model 4027E Specifications

### Model 4027E Specifications

#### Dimensional Specifications:

- 16.5' Reach
- 7'4"-11'10" Hydraulic Boom Extension
- 11'10"-16'6" Manual Boom Extension
- 14'6" Lifting Height (from base of crane)
- 34" Storage Height (from base of crane)
- 103" Overall Storage Length
- 14"X14" Mounting Space Required
- 12" Square Bolt Mounting Pattern
- 1/4" X 80' Aircraft Winch Cable
- 875 lbs. Operating Weight



#### Performance Specifications:

- 18,000 ft-lb Crane Rating
- 25,600 ft-lb Maximum Crane Lifting Moment
- 4000 lb Double Line Lift Capacity
- 400 Degrees of Rotation
- -5 Degrees to +78 Degrees Boom Angle
- Winch Performance

LINE LOAD	LINE SPEED
0 lbs	22 FPM
550 lbs	18 FPM
950 lbs	16 FPM

#### Standard Features:

- 25' tethered control included for operation
- Anti two block & overload protection with lighted indication
- 10 VDC Cartridge Valves with manual overrides
- Electric planetary winch. Boom mounted for easier stowing.
- Sealed turret
- Crane lift and extension cylinders are equipped with counterbalance safety valves.
- Powder coated base, turret shield and inner boom, with PPG Delfleet polyurethane paint on other components.
- This crane is designed to meet the requirements of ANSI/ASME B30.5 (2011) and OSHA 1910.180.

#### Minimum Chassis/Power Requirements:

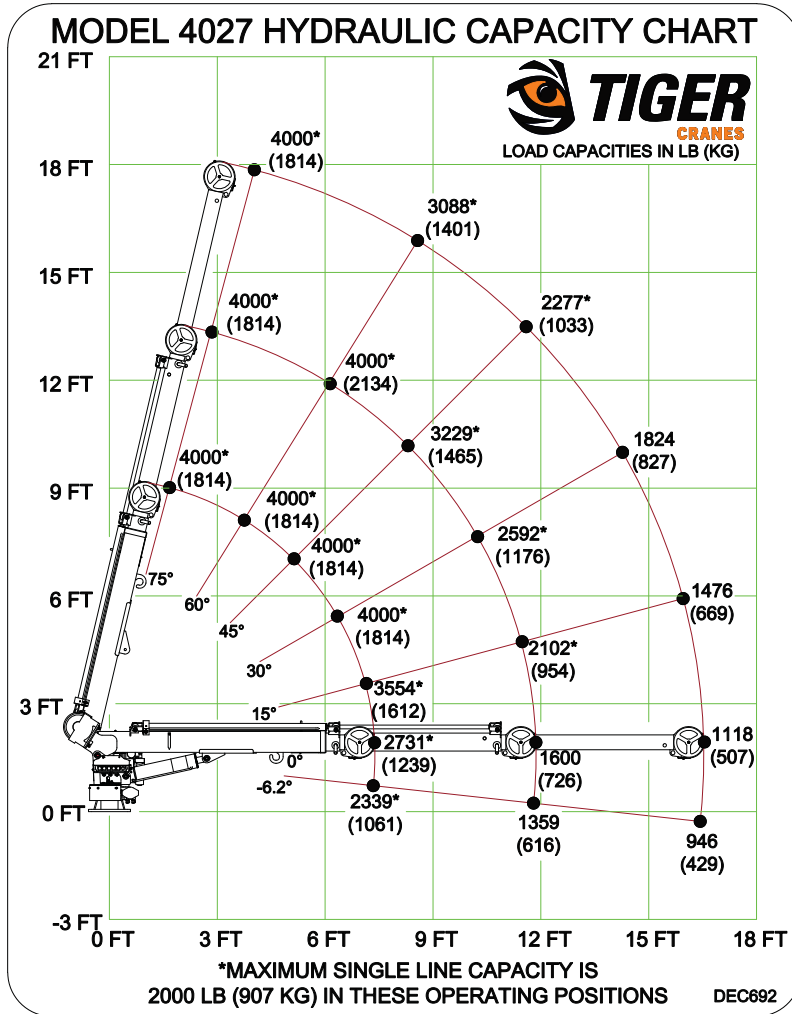
- 11,000 lbs. GVW Rating
- 60" Cab to Axle
- 18,000 ft-lb rated crane tower reinforcement and outrigger
- 90 Amp Alternator
- 700 Cold Cranking Amp Battery



# TIGER

## CRANES

### Model 4027E Specifications



### Bolt Hole Pattern

