

EAGLE PRO 1440 9ft Service Body Standard Specifications

Body Materials

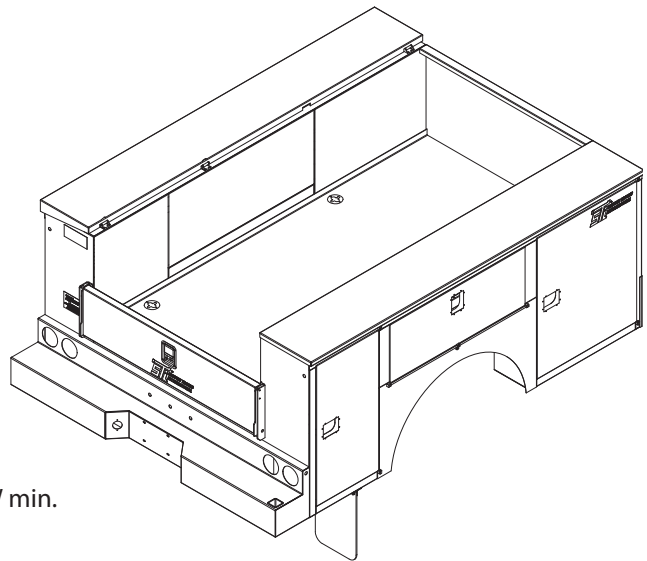
- 16 ga A60 galvaneal cabinets with stitch weld construction
- 14 ga A60 galvaneal cabinet tops
- 18 ga A60 galvaneal double panel doors with stainless steel hinges
- 14 ga A60 galvaneal wheel well panels with stainless steel split tube fender flare
- 16 ga A60 galvaneal front bulkhead
- 12 ga A60 galvaneal treadplate deck floor

Body Dimensions

- 79" Overall Body Width
- 14.5" Overall cabinet depth with 12.5" inside depth clearance
- 40" Overall cabinet height with 32" inside clear height
- 17" Overall & 9.75" inside clear height wheelwell
- 50" x 100" Deck Area
- 23" Deck Side Height
- 8" Step Bumper - Bolt on with integrated vise mount reciever. Recessed for receiver hitch. Black Lava powder coat with anti-slip surface.

Standard Features

- Designed for Class 3 single rear wheel 60 CA chassis , 10.5K GVW min.
- 54 Cubic feet of storage capacity
- Galvanized infinitely adjustable shelving - 125 lb capacity
- 8 shelf kit with dividers
- Gas Strut door holders on vertical doors and chain stops on horizontal doors
- Single point engagement, rotary style, slam action door handles made of stainless steel
- Handles are polished and are mounted with gaskets and are keyed alike
- (4) Flush mounted cargo tie downs - 3500 lb capacity
- Automotive bulb, steelbacked weather stripping between doors and cabinets
- All wiring is protected in automotive loom. Sealed crimp connections are used to guard against moisture exposure
- Slam action 12" tailgate
- Body is fully sanded, chemically washed and prepped prior to paint
- Bodies are powder coated with a 2 coat system of a zinc rich primer and white topcoat - exterior and interior
- Non white bodies receive a 3 step Paint Process with PPG Delfleet Polyurethane topcoat - exterior and interior
- Body is fully undercoated
- LED Lights and reflectors are mounted per DOT specifications
- 2-1/2" Class V Receiver hitch rated @ 1,800 lbs tongue weight and 18,000 lbs Gross Trailer Weight
- Mud Flaps



Options

- Flip top cabinets
- Rollout Drawers, additional shelves and dividers
- Interior Lighting
- Bedliner
- Vise mount
- Ladder & Pipe racks
- Deck Covers

EAGLE PRO 1440 9ft Service Body Dimensions

